
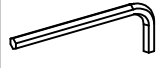
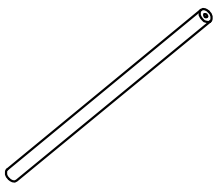
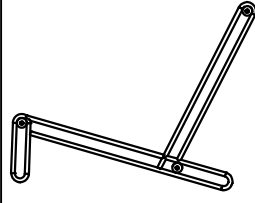
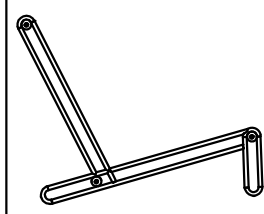
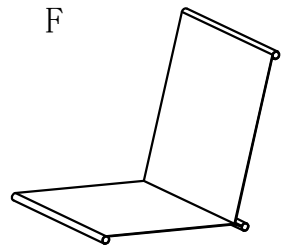
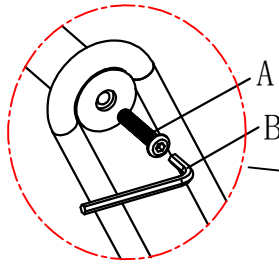
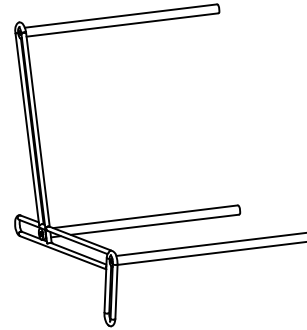
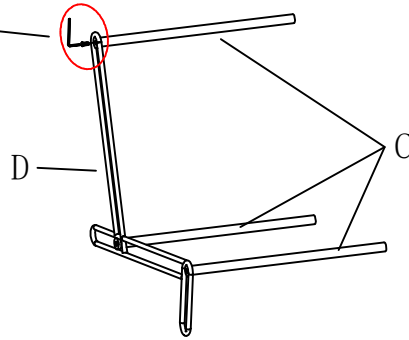


# Assembly Instruction

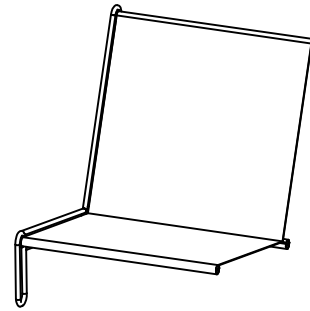
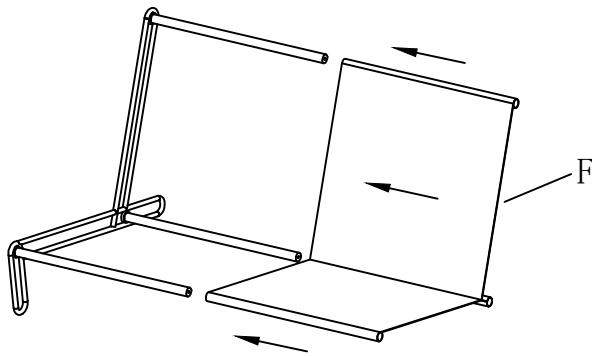
A	B	C	D	E	F
 M8*20	 4mm				 1PC
6PCS	1PC	3PCS	1PC	1PC	Pay attention to distinguish the length of Textilene, the long side is back and short side is seat.



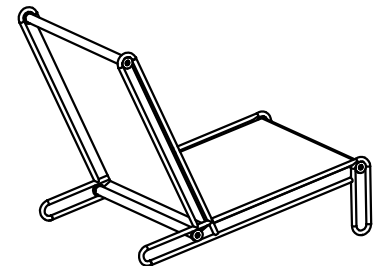
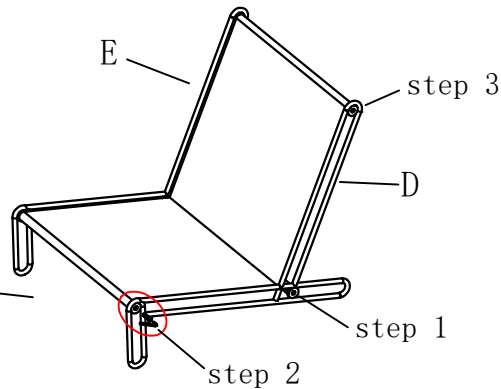
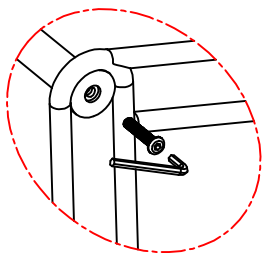
Don't tighten the screws until you have all screws on.



①



②



For easier assembly, We suggest assemble middle and front pole first, and then fix the screw for the backrest one.

③